



VAPORTITE 5 1/2 INCH FLUSH MOUNT LIGHT

FMC050

FEATURES + BENEFITS

- Weathertight Glass and Cast Aluminum Guard protect light source.
- Polyester powder coat finish provides color retention and scratch resistance.
- Dimmable with a dimmable bulb and compatible dimmer (not included).
- UL Listed for Wet Location.
- Warranty: Limited 1 Year.
- Made in USA.



SPECIFICATIONS

Product Dimensions:

Width 5 1/2", Height 9 1/2", Canopy Dia. 5 1/2"

Lamping:

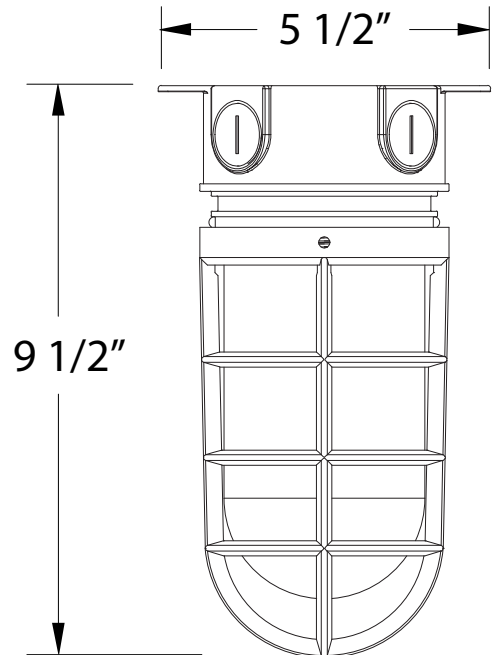
100W Medium Base per socket

Options:

- Finish: 40-Slate Gray, 41-Black, 42-Forest Green, 44-White Gloss, 48-Sea Green, 49-Painted Galvanized, 50-Navy, 51-Architectural Bronze, 54-Light Blue, 55-Barn Red

Shipping:

At Montclair Light Works we proudly manufacture, assemble, and ship your lamp within 3 weeks from our factory in Montclair CA.



JOB/LOCATION

QUANTITY

DATE

NOTES