



SCHOOLHOUSE 12" 2-LIGHT STEM HUNG PENDANT LIGHT

MSD021

FEATURES + BENEFITS

- Opal glass Schoolhouse shade, made in the USA.
- Polyester powder coat finish provides color retention and scratch resistance.
- Dimmable with a dimmable bulb and compatible dimmer (not included).
- Standard 12" Stem included.
- Standard 12" Stem included.
- UL Listed for Dry Location.
- Warranty: Limited 1 Year.
- Made in USA.



SPECIFICATIONS

Product Dimensions:

Width 11 3/4", Shade Height 10 3/4", Length 34 3/4", Canopy Dia. 4 1/8",
Overall Height=Choice of Vertical Stem Length + 13 1/2"

Lamping:

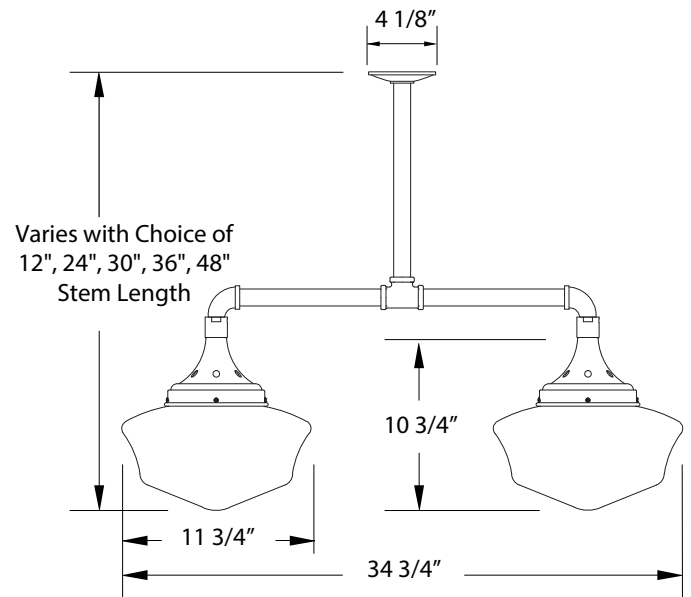
100W Medium Base per socket

Options:

- Finish: 40-Slate Gray, 41-Black, 42-Forest Green, 44-White Gloss, 48-Sea Green, 49-Painted Galvanized, 50-Navy, 51-Architectural Bronze, 54-Light Blue, 55-Barn Red
- Stem Length: T24-3/4" IPS x 24", T30-3/4" IPS x 30", T36-3/4" IPS x 36", T48-3/4" IPS x 48"
- Other Accessories: B01-Decorative Canopy Cover, B02-Sloped Ceiling Mount

Shipping:

At Montclair Light Works we proudly manufacture, assemble, and ship your lamp within 3 weeks from our factory in Montclair CA.



JOB/LOCATION

QUANTITY

DATE

NOTES