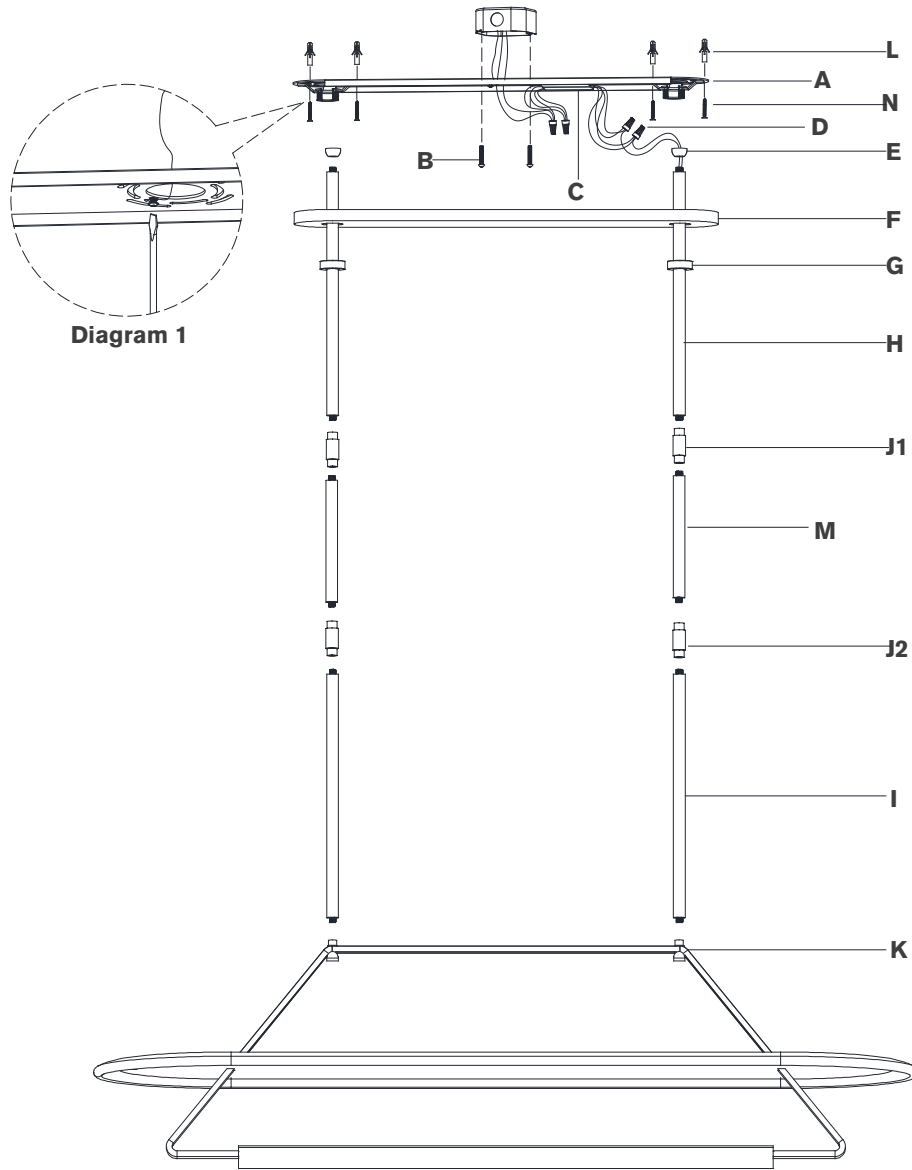


## ASSEMBLY INSTRUCTIONS



## Teline 54" Oval Linear

Item # KW5107

### NOTICE:

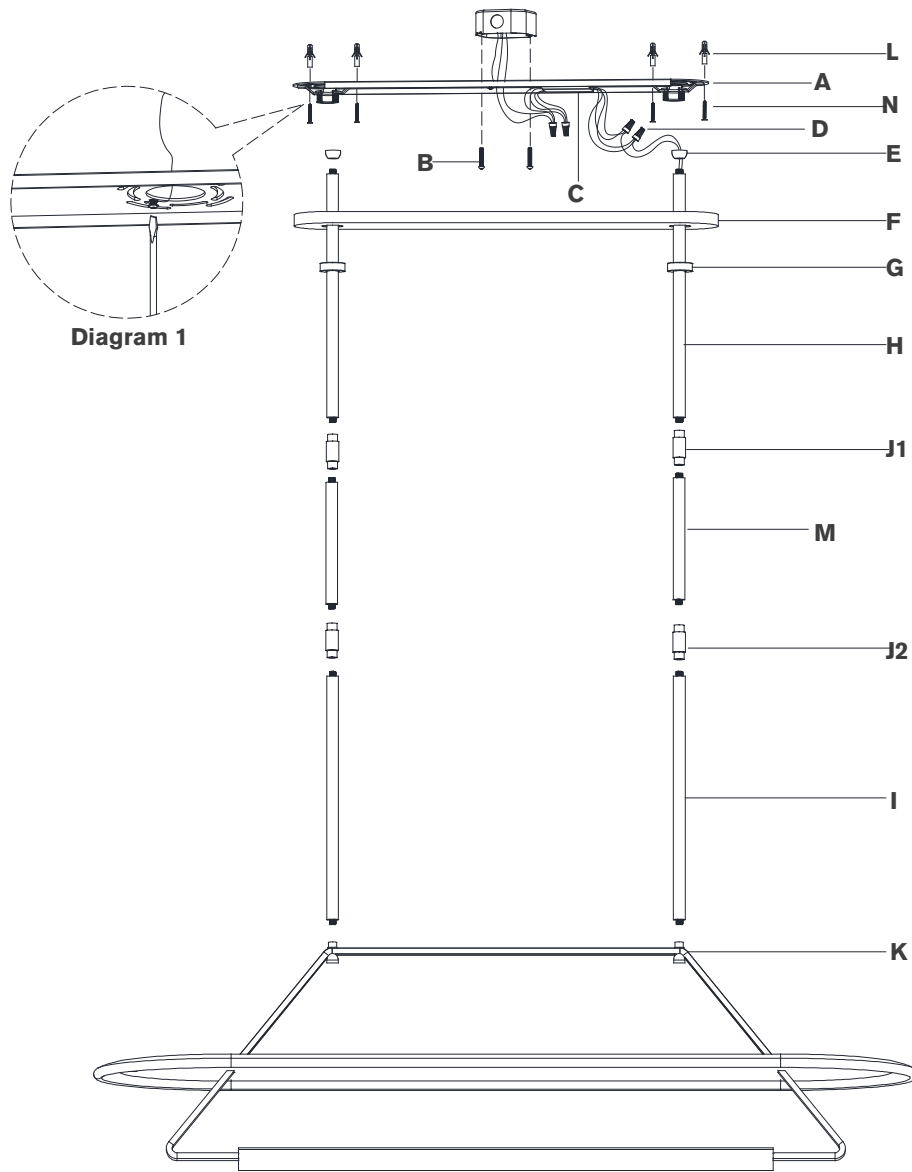
This light fixture should be installed in accordance with all applicable, local installation codes, and by a person familiar with the construction and operation of it, as well as the hazards involved. Inspect item and contents carefully. If any damage or defect is found, do not install. Retain all packaging material until installation is complete and approved.

### TOOLS REQUIRED (NOT INCLUDED):

Phillips Screwdriver	Slotted Screwdriver	Wire Cutters
Wire Strippers	Pencil	Hammer
Drill		

1. Carefully remove all parts from the box. Place on a clean, soft surface.
  2. Remove mounting plate (A) from canopy (F) by removing collar rings (G).
  3. Using the mounting plate (A) as a guide, line up with the junction box and mark anchor positions.
  4. Using a drill bit slightly smaller than the anchor, drill holes in the marked positions. Install anchors (L) into the holes using hammer.
  5. Install mounting plate (A) to the junction box and secure with mounting screws (B), then secure wood screws (N) to anchors (L).
  6. Connect supply ground wire (usually green or bare copper) around the green grounding screw (see diagram 1). Tighten.
  7. Feed fixture wires through rods (I), then connect to fixture (K) and secure with couplings (J2). Repeat for rods (M), connecting to couplings (J2) and secure with couplings (J1).
  8. Continue feeding fixture wires through rods (H), collar rings (G) and canopy (F).
  9. Holding fixture upright, slide collar rings (G) and canopy (F) down rods and rest on top of fixture (K). Then connect rods (H) to couplings (J1), securing with swivel balls (E).
- NOTE:** Slide components down slowly to avoid damages.
10. Hang fixture swivel balls (E) to center of mounting plate (A).

## ASSEMBLY INSTRUCTIONS



## Teline 54" Oval Linear

Item # KW5107

### NOTICE:

This light fixture should be installed in accordance with all applicable, local installation codes, and by a person familiar with the construction and operation of it, as well as the hazards involved. Inspect item and contents carefully. If any damage or defect is found, do not install. Retain all packaging material until installation is complete and approved.

11. Cut excess wires, being sure to leave enough to reach the junction box. Separate wires, and strip insulation on each 5/8".
  12. Connect fixture neutral wire (black) to the drivers (C) output neutral wires (black) using wire nut (D).
  13. Connect fixture hot wire (red) to the drivers (C) output hot wires (red) using wire nut (D).
  14. Connect drivers (C) input neutral wires (white) to the supply neutral wire (usually white) using wire nut (D).
  15. Connect drivers (C) input hot wires (black) to the supply hot wire (usually black) using wire nut (D).
- CAUTION:** Do not reverse the hot and neutral connections.
16. Make sure all wire connections are tight, then carefully tuck into the junction box.
  17. Install canopy (F) to mounting plate (A) and secure with collar rings (G).

**Care Instructions:** Clean only with a soft dry cloth or feather duster. Do not use abrasive or chemical agents.